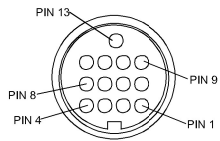
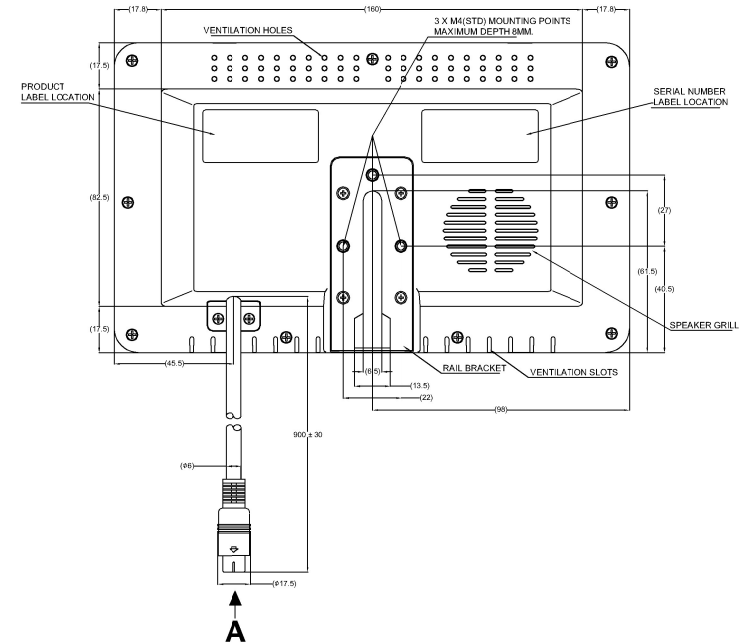
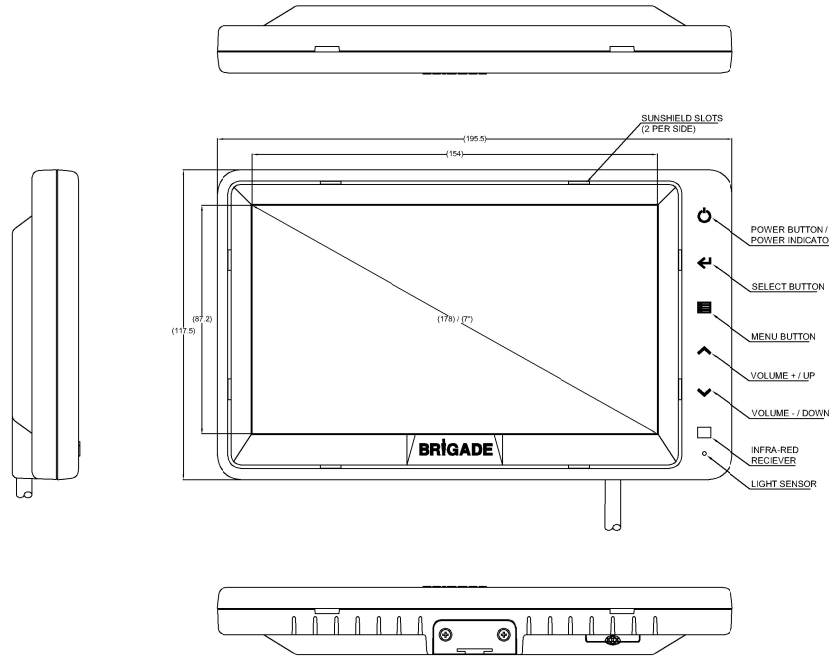
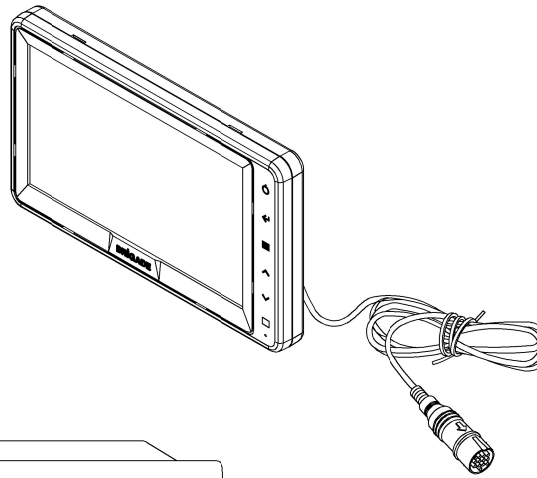


VIEW A



13 PIN MALE MATING FACE

PIN #	WIRE COLOUR	DESCRIPTION
1	RED	+1224V
2	BROWN	TRIGGER 3
3	BLUE	TRIGGER 2
4	PURPLE	TRIGGER 1
5	PALE RED	CA1 +12V OUT
6	GRAY	CA1 AUDIO
7	YELLOW	CA1 VIDEO
8	GREEN	CA2 +12V OUT
9	PALE GREEN	CA2 AUDIO
10	WHITE	CA2 VIDEO
11	BLACK	CA3 +12V OUT
12	PALE BLUE	CA3 AUDIO
13	ORANGE	CA3 VIDEO
14	BLACK	GROUND



Revision Notes.

R1 -	Drawn:-	Checked:-	Approved:-	Date: -
------	---------	-----------	------------	---------

- NOTES:**
1. COLOUR OF CONNECTOR A IS BLACK.
 2. REFER TO "PRODUCT SPECIFICATION" FOR MORE DETAILS.
 3. FOR LABELING DETAIL REFER TO MASTER BOM.
 4. FIRMWARE VERSION SV-HD711-MP-Q01A-V2.0 (BE-VBV-770HM-V2.0) TO BE PRELOADED TO THE MAIN BOARD & FIRMWARE VERSION ATINY1616-HD711-V12 TO BE PRELOADED TO THE KEYPAD BOARD DURING MANUFACTURE.
 5. HOUSING MATERIAL: ABS PLASTIC, RAIL BRACKET MATERIAL: STEEL.
 6. KEYPAD BUTTONS / SYMBOLS & EMBOSSED LOGO TO BE WHITE, INFRA-RED RECEIVER WINDOW TO BE TRANSLUCENT.
 7. FINISH: BLACK COLOUR WITH SOFT TOUCH PAINT.

PROPRIETARY NOTICE
 THIS DESIGN AND TECHNICAL INFORMATION APPEARING ON THIS DRAWING IS THE PROPERTY OF BRIGADE ELECTRONICS, AND IS DISCLOSED IN CONFIDENCE. IT IS NOT TO BE COPIED, REPRODUCED, REVEALED TO OR EXPROPRIATED BY OTHERS, EITHER IN WHOLE OR IN PART WITHOUT THE EXPRESS WRITTEN CONSENT OF BRIGADE ELECTRONICS.



Assembly Pl Approval Y. ZHANG	Approved by A.KEBEDE	Checked by L. CHEUNG	Drawn by S. GOVENDER
Angle of Projection 	Units mm	Scale N/A	Released 19/07/22
Status RELEASED	VBV-770HM-M		
Part No 5612A	BE-004713-00-22		